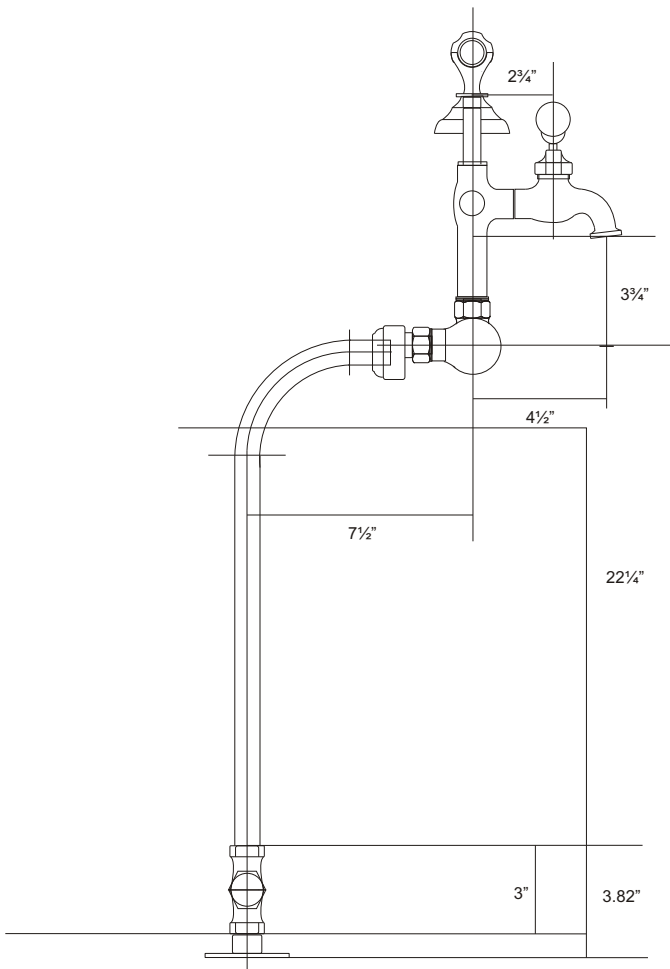


SUNRISE SPECIALTY CO.

423 Floor-mtd tubfill



400-6 Wall Bracket (not illustrated)
Adjustable from 5-18"

400-11 Straight Stop (less Hdl)

405-1 Floor Flange Only

405-2 Flange Screws (4)

413-3 60" Hose Only

413-5 Handshower Only

416-5 Cold Water Supply

416-6 Hot Water Supply

Floor Flange Dia. = 3"

Rough Supply Lines 8"cc

433-8 Bracket supplied
when shipped with #48
Tower Drain