

SUNRISE SPECIALTY CO.

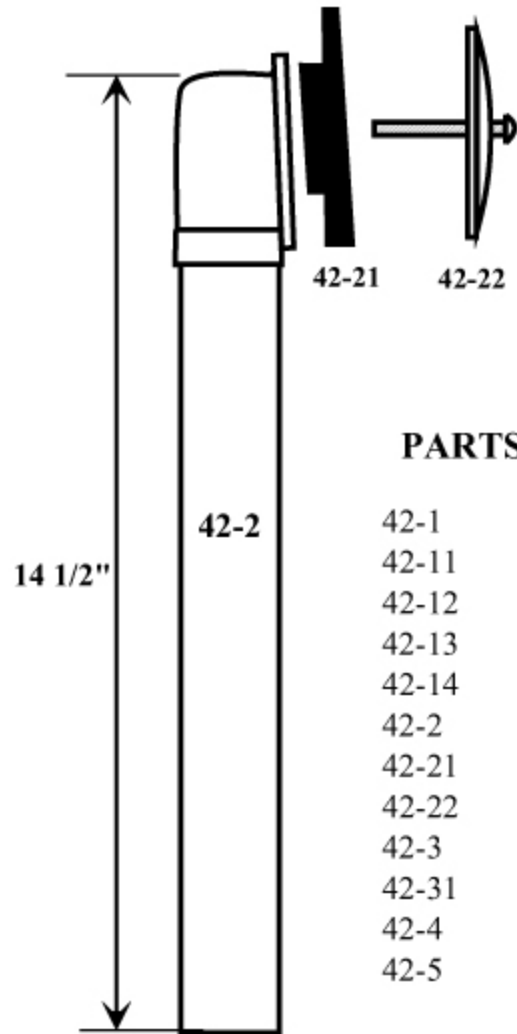
#42 WASTE & OVERFLOW

#42-10 WASTE & OVERFLOW

Made for an 805 or 815 Slipper Tub

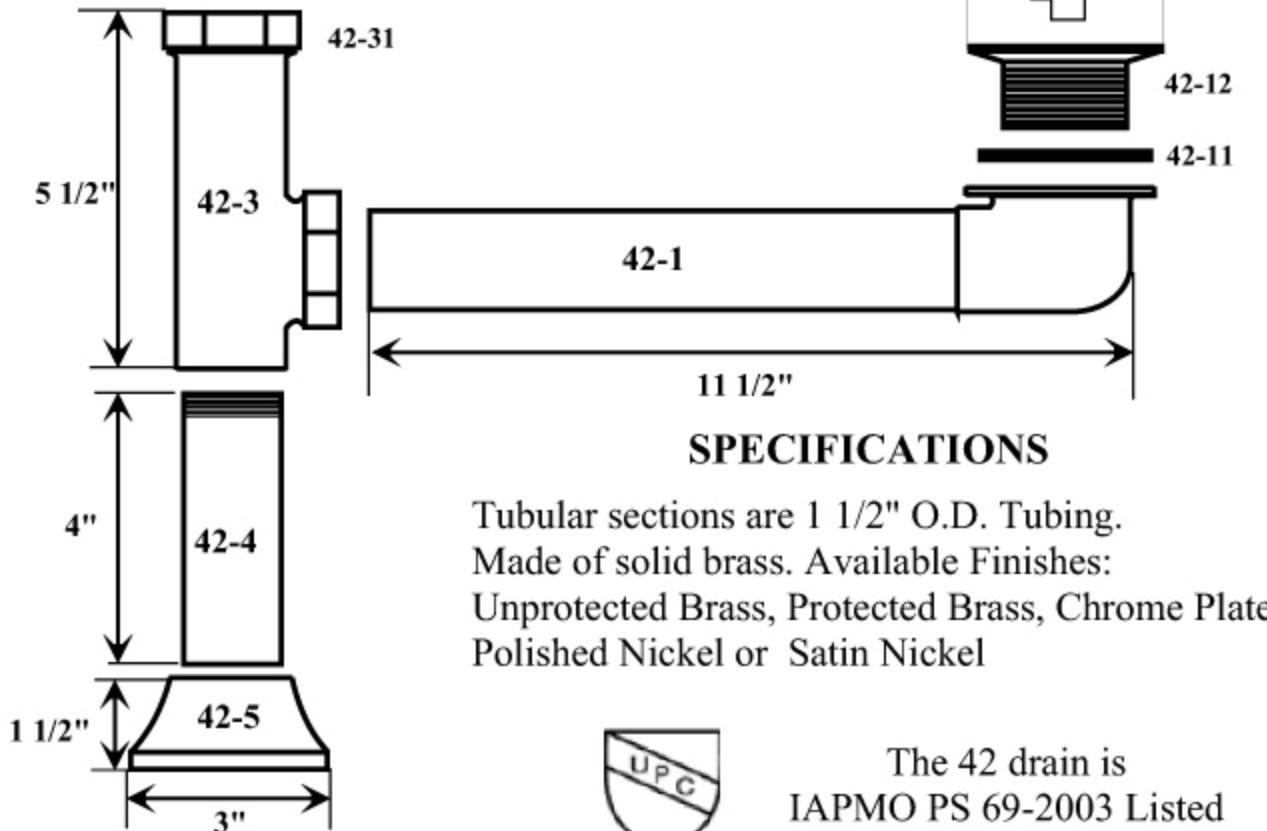
#42-60 WASTE & OVERFLOW

Rough drain for built-in tubs



PARTS LIST

42-1	Shoe Only
42-11	Drain Gasket
42-12	Waste Flange & Post
42-13	O Ring Only for Stopper
42-14	Stopper with O Ring
42-2	Overflow Tube Only
42-21	Overflow Washer
42-22	Overflow Screen & Bolt
42-3	Drain Tee Only
42-31	Nut & Washer for Drain Tee
42-4	Drain Tailpiece
42-5	Floor Flange



SPECIFICATIONS

Tubular sections are 1 1/2" O.D. Tubing.
Made of solid brass. Available Finishes:
Unprotected Brass, Protected Brass, Chrome Plate,
Polished Nickel or Satin Nickel



The 42 drain is
IAPMO PS 69-2003 Listed