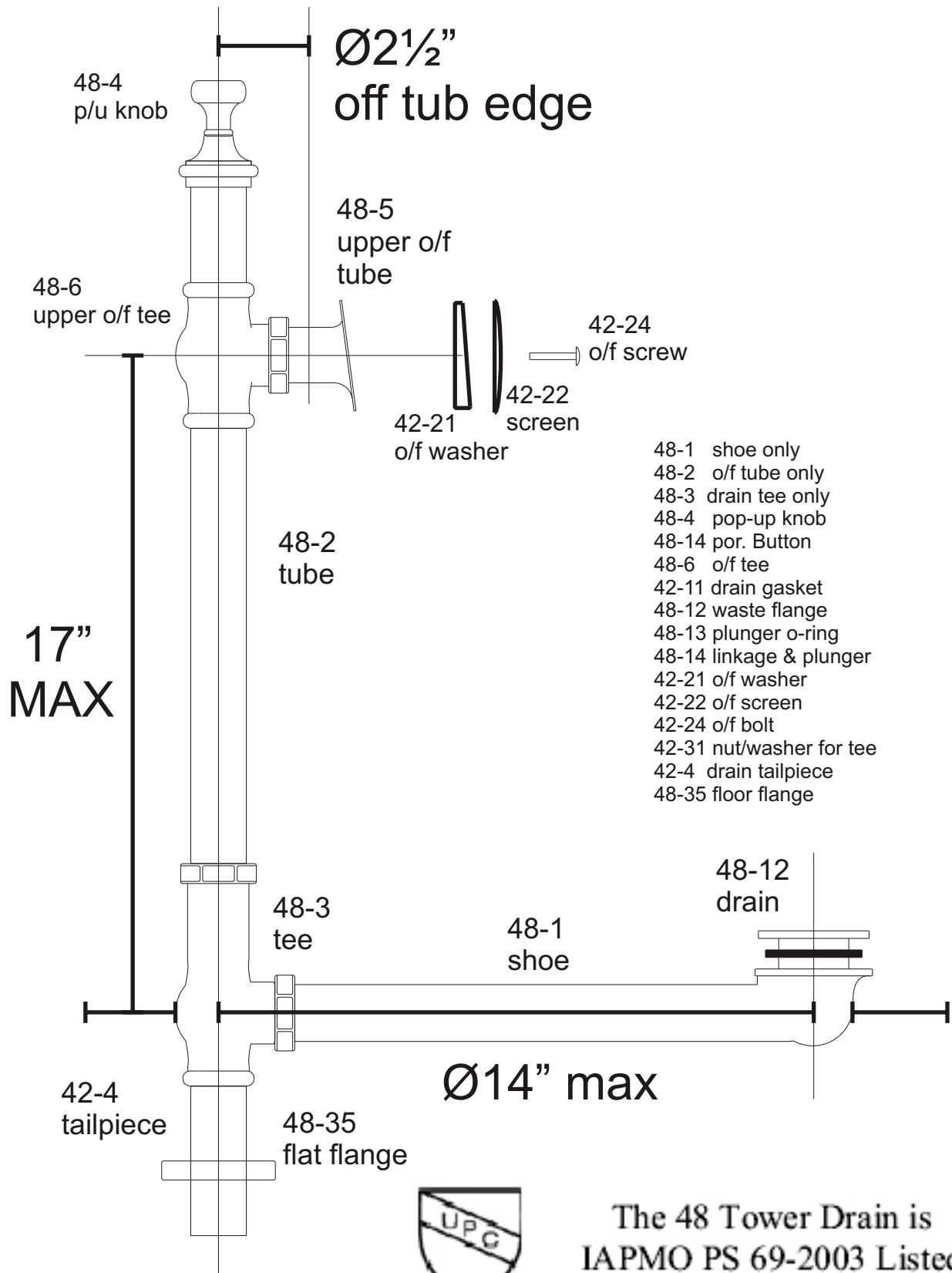


SUNRISE SPECIALTY CO.

#48 Tower Drain



The 48 Tower Drain is
IAPMO PS 69-2003 Listed

SUNRISE SPECIALTY CO.

#48 Tower Drain

