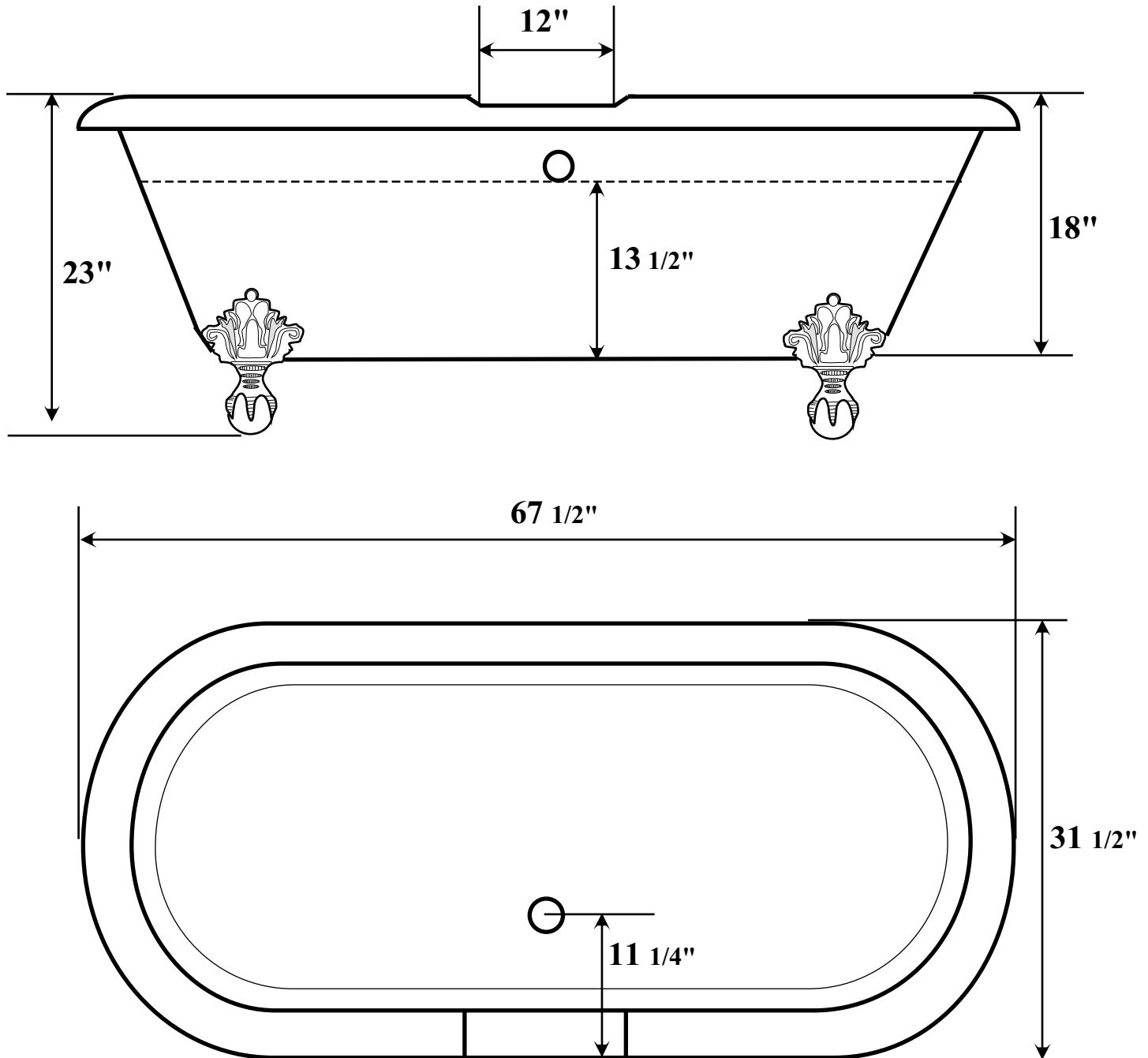


# SUNRISE SPECIALTY CO.

#816 Double Ended Bathtub  
( Designed for custom faucet drilling )  
#846 Double Ended Bathtub  
( Less faucet drill, continuous roll rim )  
#806 Double Ended Bathtub  
( With 8" cc holes )

Water Capacity 54 Gallons



**Waste in floor:** When using Sunrise Specialty #42 waste and overflow, center waste in floor 1 1/2" in from out from edge of tub.

**Hot & Cold Supplies:** When using the 806 tub, the faucet is centered above the drain out of the floor. Use the #56 supplies and the #54 or #53 shut off valves. Position hot & cold supply 8" center to center on each side of the waste out of floor.