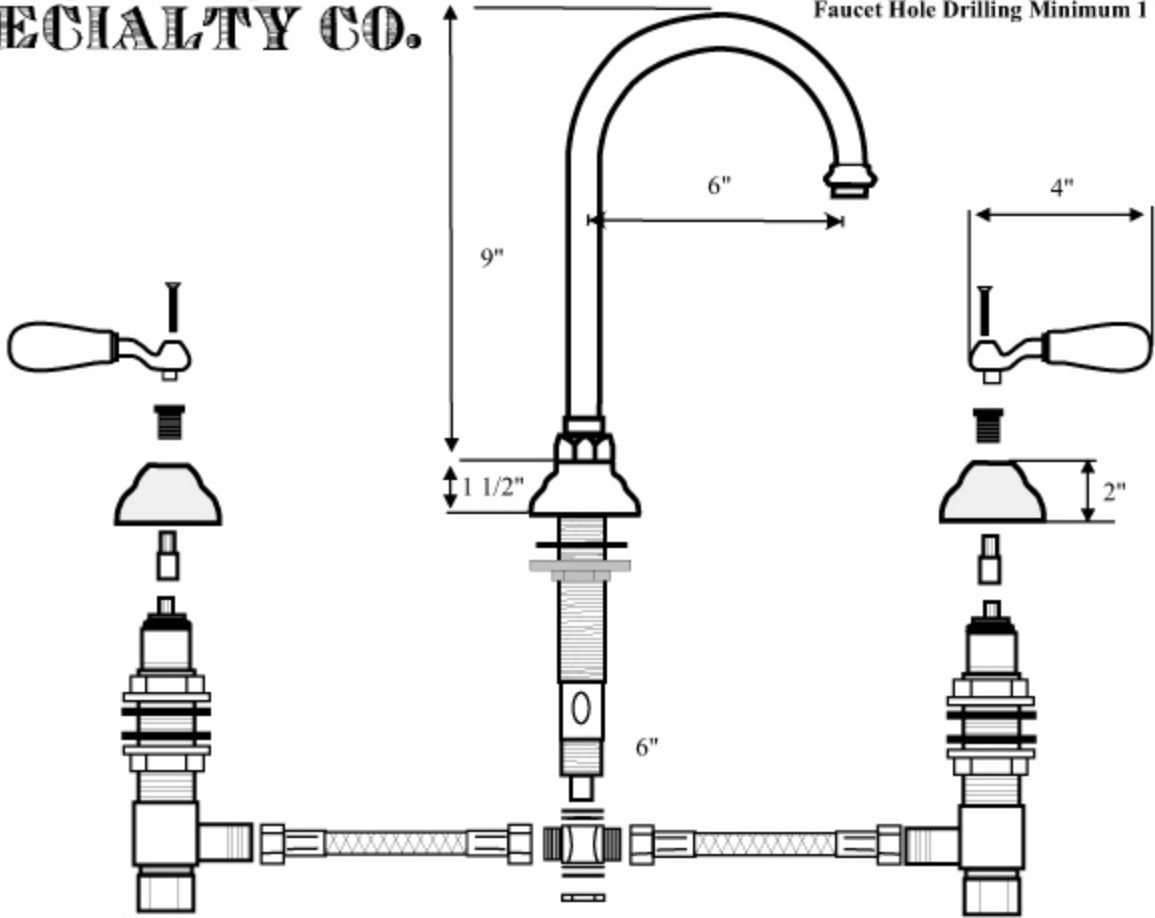


**#102 Widespread Lavatory Faucet
or #106 with 7 1/2" Gooseneck Spout**

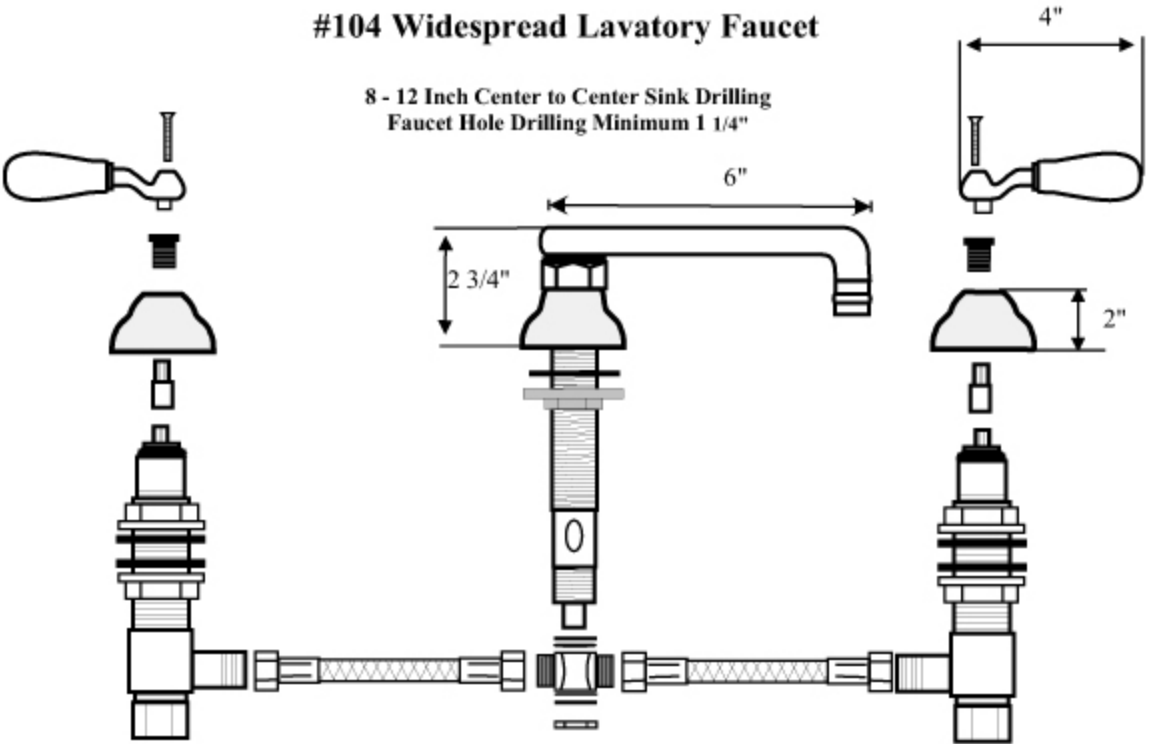
**SUNRISE
SPECIALTY CO.**

8 - 12 Inch Center to Center Sink Drilling
Faucet Hole Drilling Minimum 1 1/4"



#104 Widespread Lavatory Faucet

8 - 12 Inch Center to Center Sink Drilling
Faucet Hole Drilling Minimum 1 1/4"



ASME 112.18.1 & NSF/ANSI Standard 61 Certified