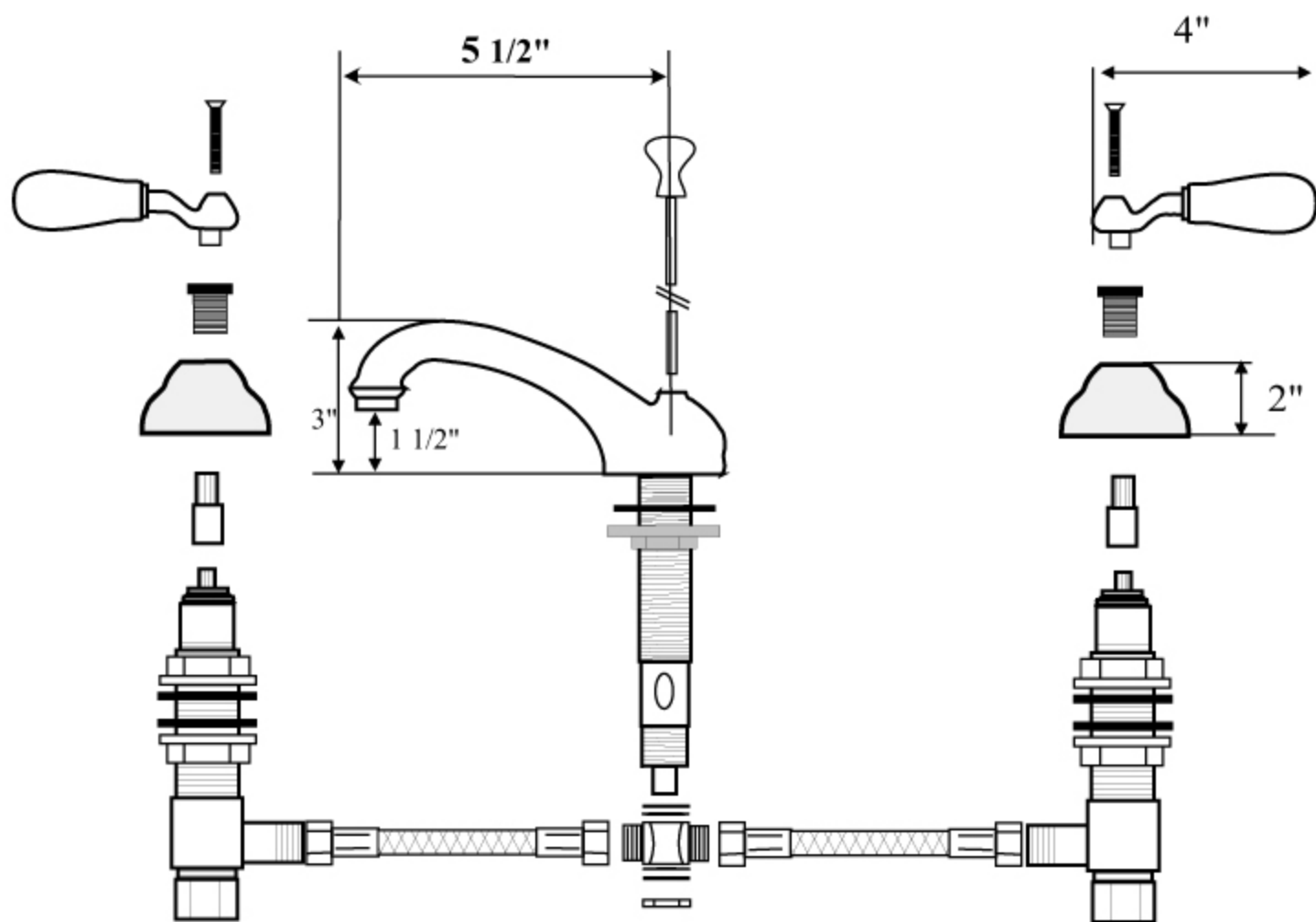


# SUNRISE SPECIALTY CO.

## #121 Widespread Lavatory Faucet

8 - 12 Inch Center to Center Sink Drilling  
Faucet Hole Drilling Minimum 1 1/4"



ASME 112.18.1 & NSF/ANSI Standard 61 Certified