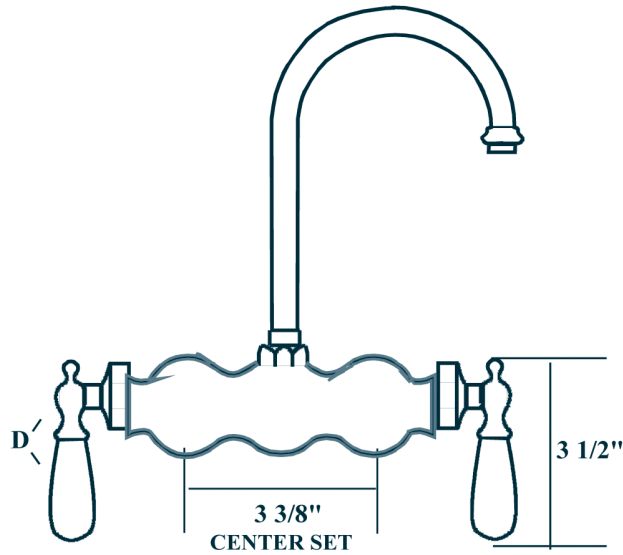


# SUNRISE

## #403 TUBFILL FAUCET

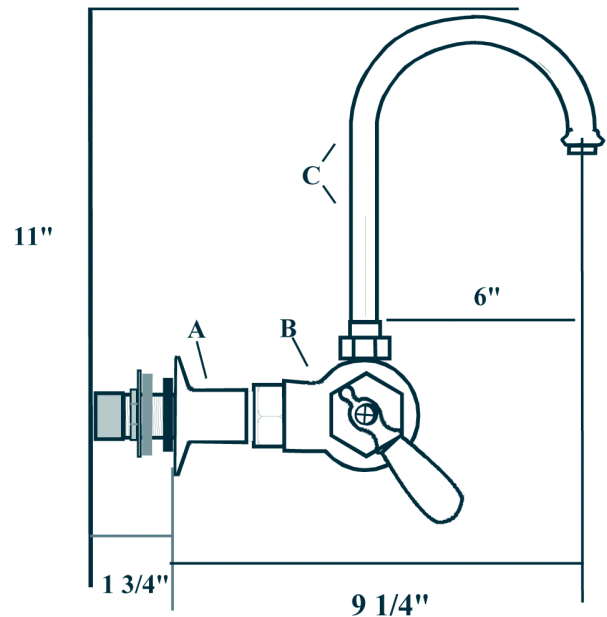
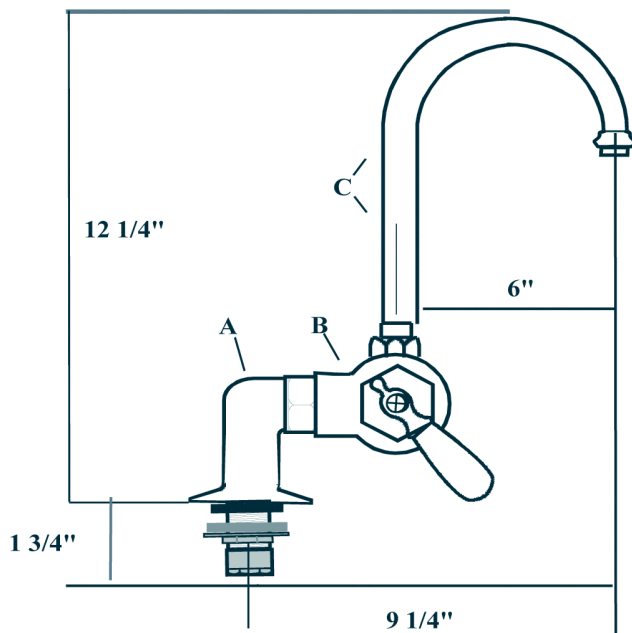


### PARTS LIST

- A Shank, includes:  
supply nut & washer, 1/2" IPS  
nipple, lock nut and washers.
- B #400-9 3-Ball Mixer Body  
includes handles
- C #102-1 Gooseneck Spout.
- D #11-1 Pair Small Porcelain  
Handles, indexed HOT &  
COLD.

### REPLACEMENT PARTS:

- Cold Valve #403-1
- Hot Valve #403-2



All faucets are made of solid brass and are available in Protected Polished Brass, Unprotected Polished Brass, Polished Chrome, Polished Nickel Brushed Nickel & Oil Rubbed Bronze. All Faucets have the option of being deck or wall mounted.

#403 comes with #400-20 angled shanks unless #400-10 straight shanks are specified.

All handles are interchangeable, you may substitute any handle style on any faucet

This faucet complies with ASME A112.18.1-2005 / CSA B125.1-05