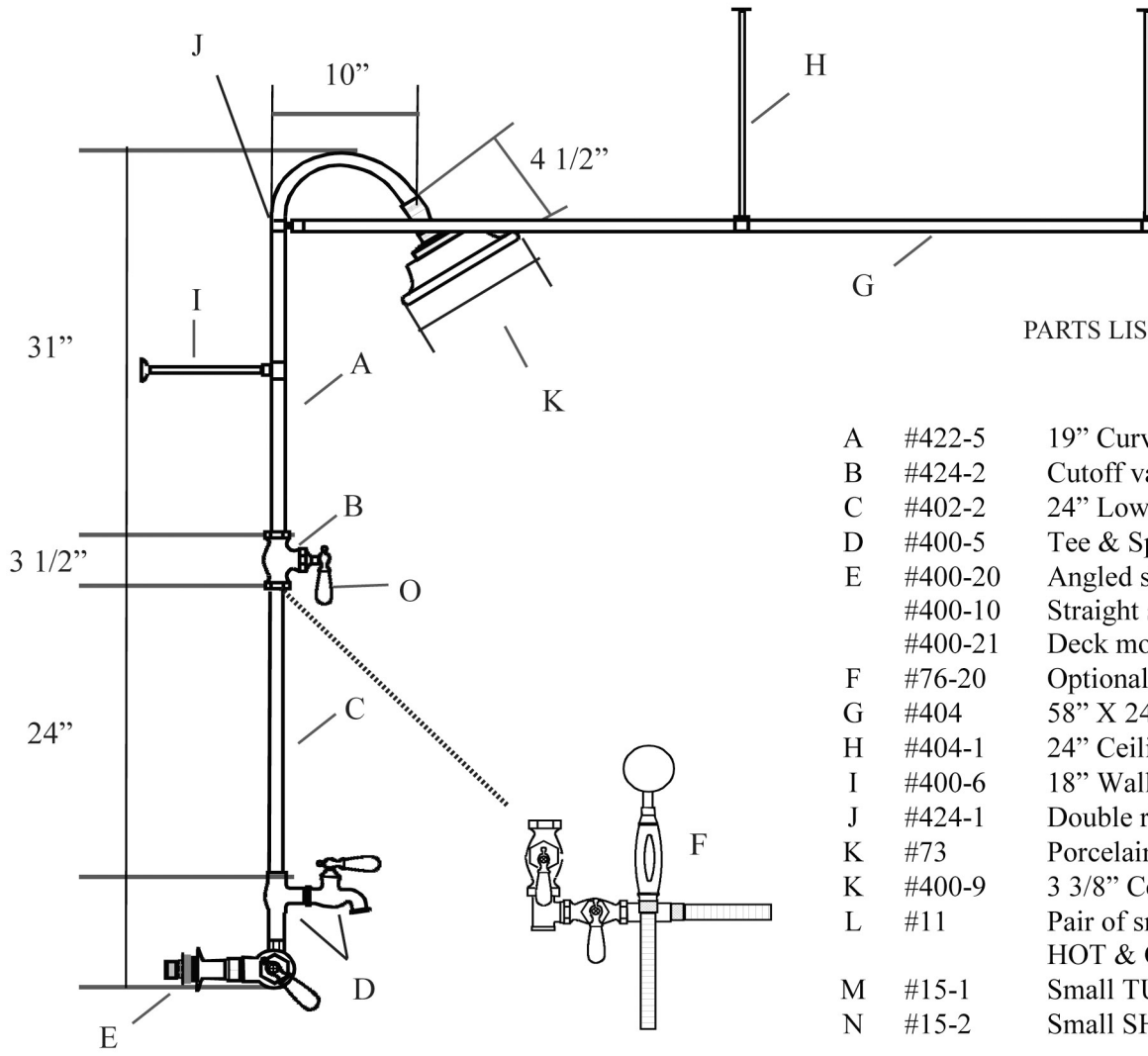


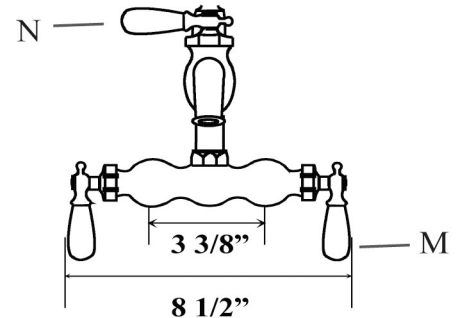
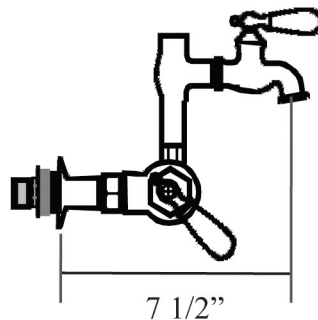
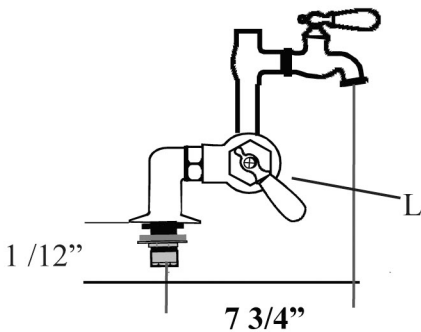
SUNRISE

#424 3 3/8" Tubfill
Shower Combination



PARTS LIST

A	#422-5	19" Curved upper riser
B	#424-2	Cutoff valve
C	#402-2	24" Lower riser
D	#400-5	Tee & Spigot assembly
E	#400-20	Angled shanks (provided)
	#400-10	Straight shanks
	#400-21	Deck mounting shanks
F	#76-20	Optional handshower assembly
G	#404	58" X 24" Shower ring
H	#404-1	24" Ceiling supports
I	#400-6	18" Wall bracket
J	#424-1	Double ringlet
K	#73	Porcelain trimmed showerhead
K	#400-9	3 3/8" Center body
L	#11	Pair of small porcelain HOT & COLD handles
M	#15-1	Small TUB handle
N	#15-2	Small SHOWER handle



All faucets are made of solid brass and are available in Protected Polished Brass, Unprotected Polished Brass, Polished Chrome, Polished Nickel, Brushed Nickel & Oil Rubbed Bronze.

All Faucets have the option of being wall or deck mounted

#424 comes with #400-20 angled shanks unless #400-10 straight shanks are specified.

All handles are interchangeable, you may substitute any handle style on any faucet.

This faucet complies with ASME A112.18.1-2005 / CSA B125.1-05

REPLACEMENT PARTS:

Hot, Tub, Shower Valve	#403-2
Cold Valve	#403-1