

# SUNRISE

## #522/532 8" Exposed Shower

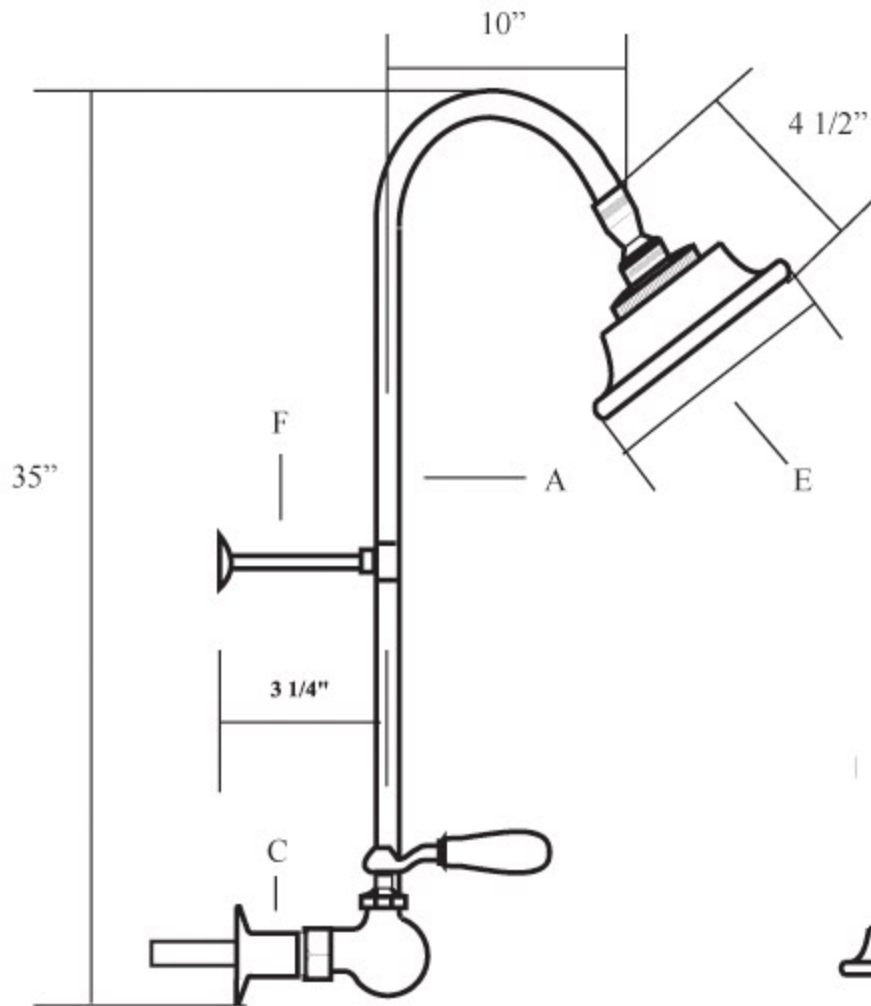
### PARTS LISTING

- A. #400-4 32" Curved riser
- B. #501-1 3 3/8" Valve body
- C. #422-3 Wall shanks  
#400-21 Deck mounted shanks
- D. #10 Set of large porcelain handles  
HOT & COLD
- E. #73 Porcelain trimmed showerhead
- F. #400-6 18" Wall bracket
- G. #76-20 Optional handshower attachment

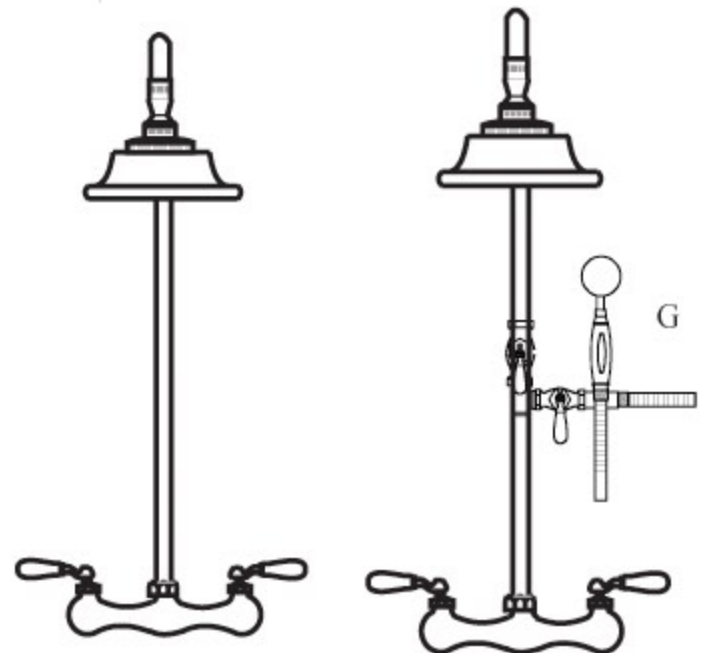
**For 60" curved riser specify #532**

### REPLACEMENT PARTS

- Cold Valve #403-1
- Hot valve #403-2



Leave 1/2"-3/4" of threads exposed so that the shank will tighten flush against the wall.



Shown with #76-20 optional handshower

All faucets are made of solid brass and are available in Protected Polished Brass, Unprotected Polished Brass, Polished Chrome, Polished Nickel, Brushed Nickel & Oil Rubbed Bronze.

All Faucets have the option of being wall or deck mounted

All handles are interchangeable, you may substitute any handle style on any faucet.