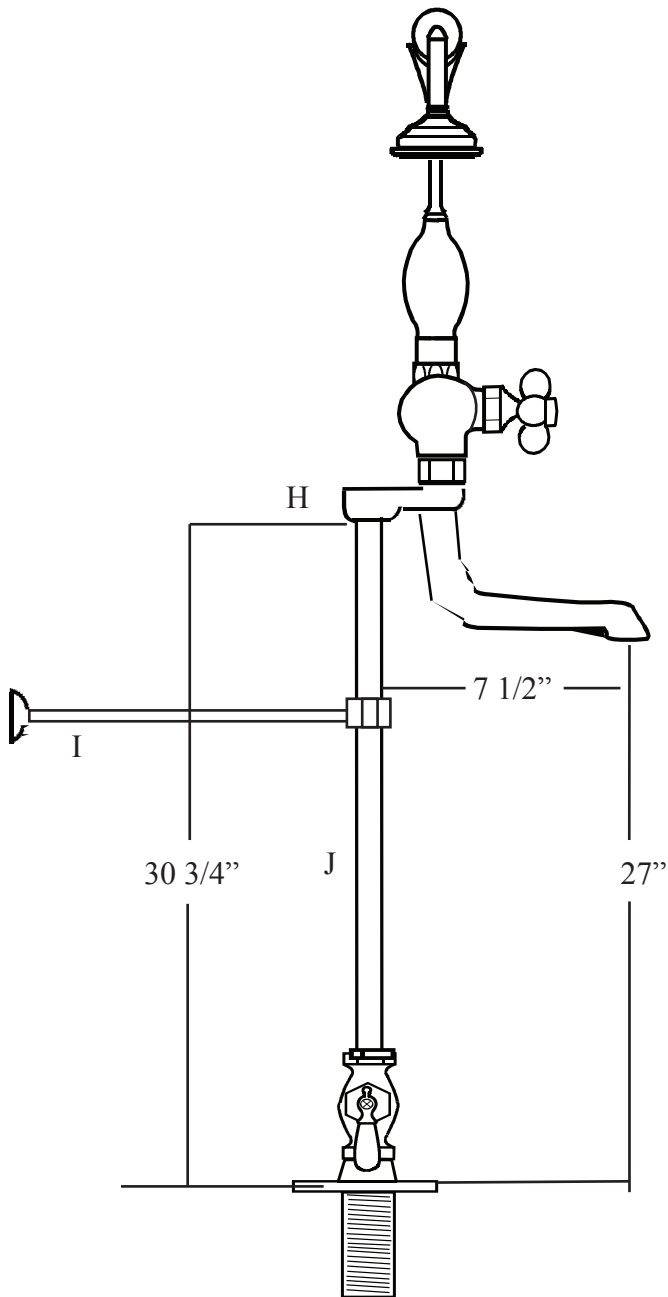


# SUNRISE

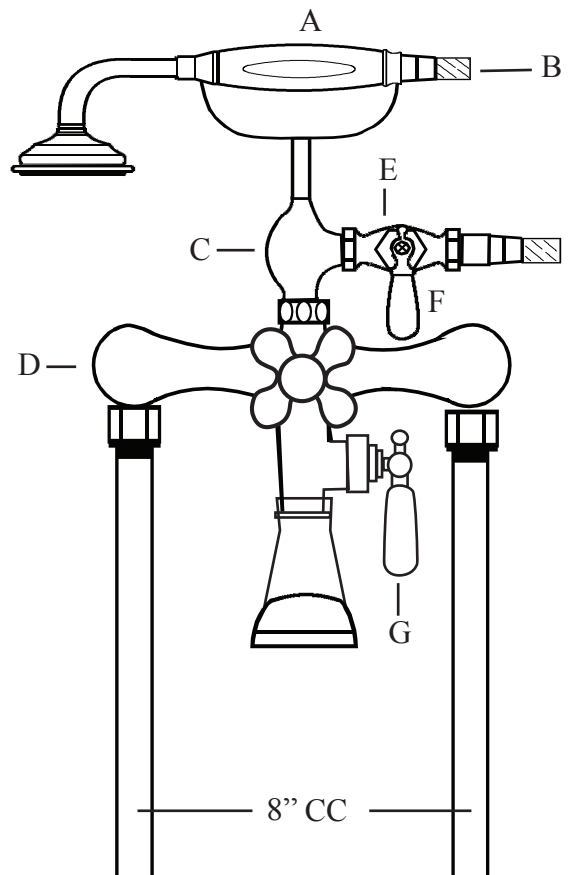
## #643 Thermostatic Floor Mounting Tubfill / Handshower



### PARTS LIST

- A #413-5 Handshower Handle
- B #413-3 Handshower Hose 60"
- C #533-5 Tee and Cradle
- D #633-4 Valve body with Spout
- E #424-2 Shutoff Valve
- F #15-2 "Shower" Handle
- G #15-5 "Tub" Handle
- H #433-1 Offset Shank
- I #400-6 18" Wall Bracket
- J #453-5 Cold Supply Line  
#453-6 Hot Supply Line

This faucet features an integral backflow prevention.



All faucets are made of solid brass and are available in Protected Polished Brass, Unprotected Polished Brass, Polished Chrome, Polished Nickel, Brushed Nickel & Oil Rubbed Bronze.