

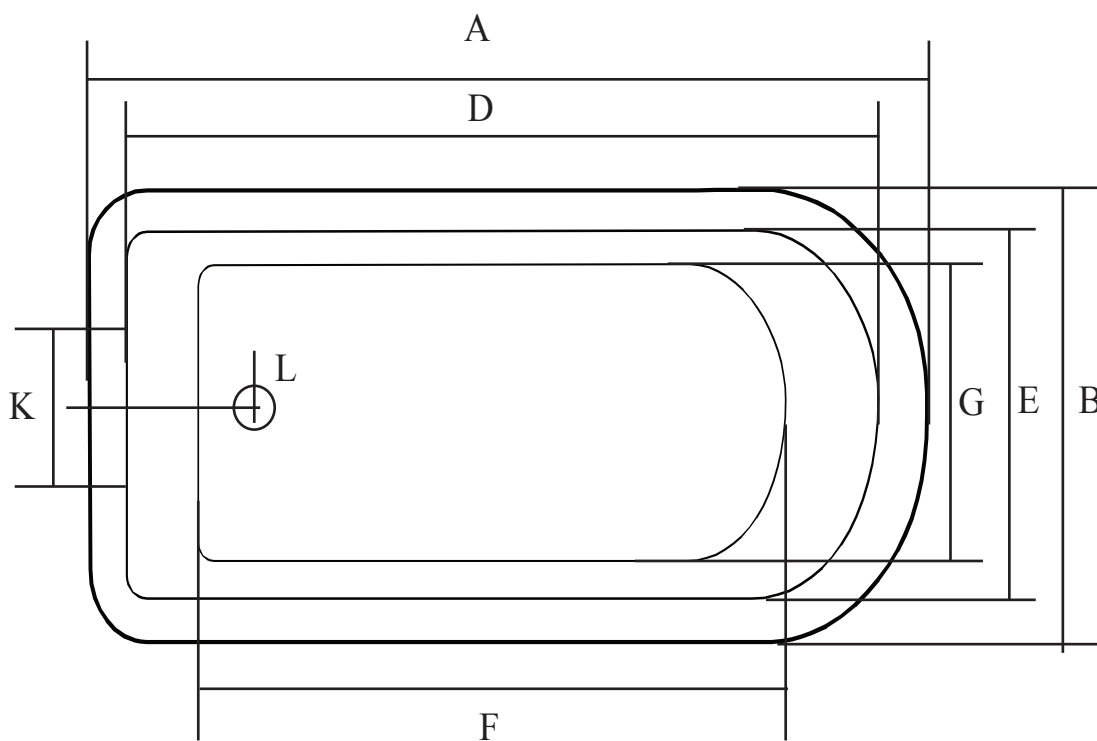
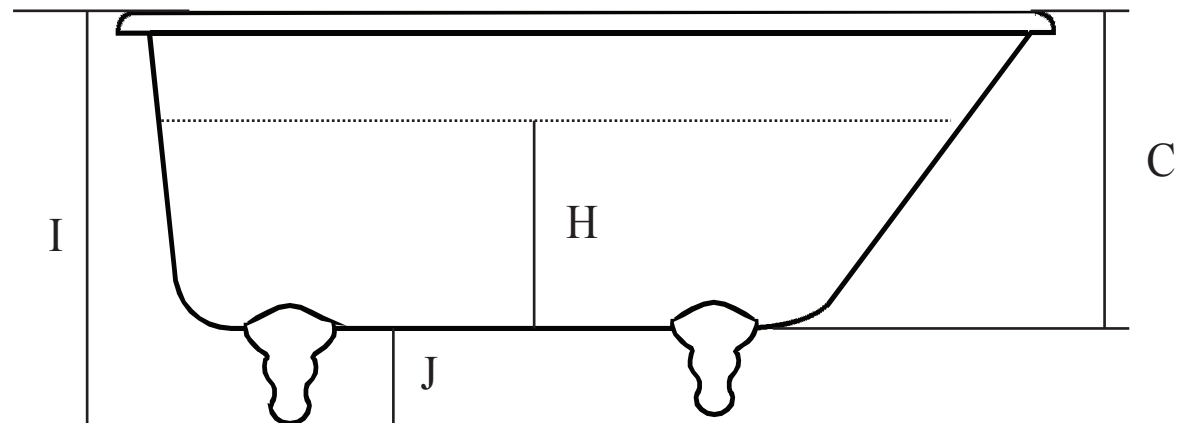
SUNRISE

Traditional Roll Top

#800 54" Drilled 3 3/8" on rear wall of tub

#810 54" No drilling, continuous rolled rim

#820 54" Drilled 8" on deck



Dimensions in Inches											
A	B	C	D	E	F	G	H	I	J	K	L
54	31	19	48	25	33	17	12	23	4	12	10

Overflow Diameter is 2 1/8"

Waste Diameter is 2 1/2"

Rim Width is 3"

Hole Diameter is 1 3/4"

Water Capacity is 46 Gal

Bathing Well 33"L x 14"W

Weight of Tub is 209 lbs

Weight of Feet is 25 lbs