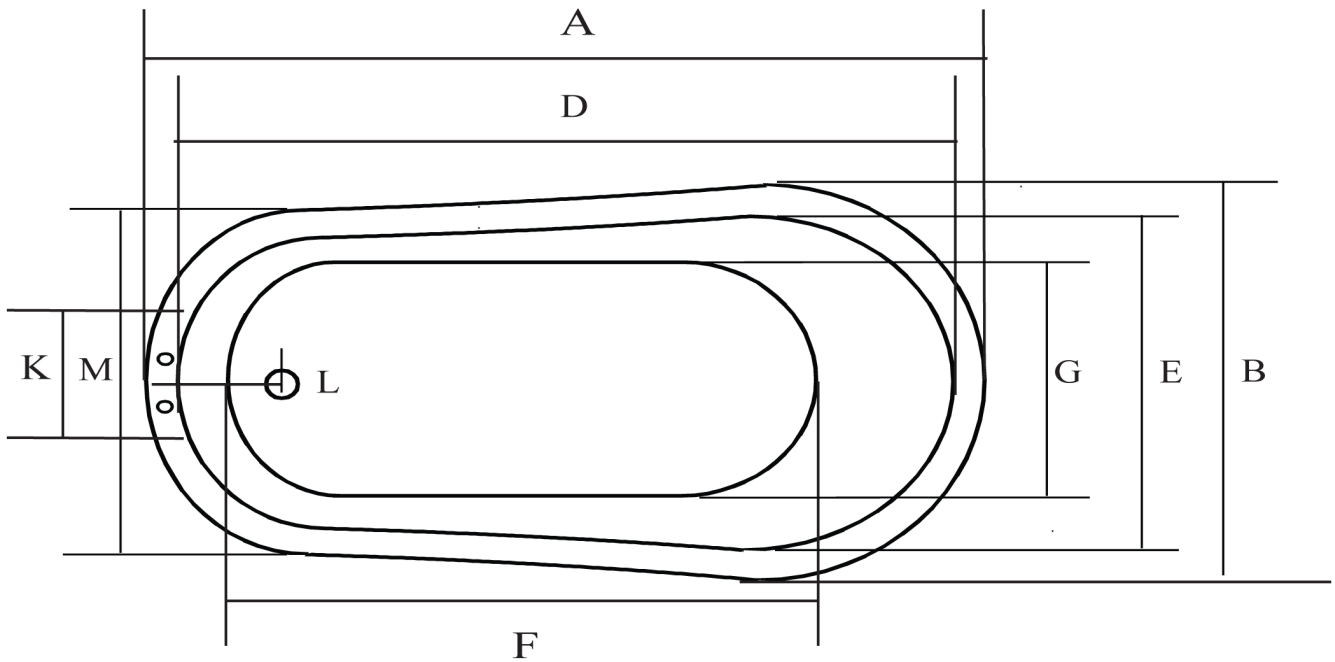
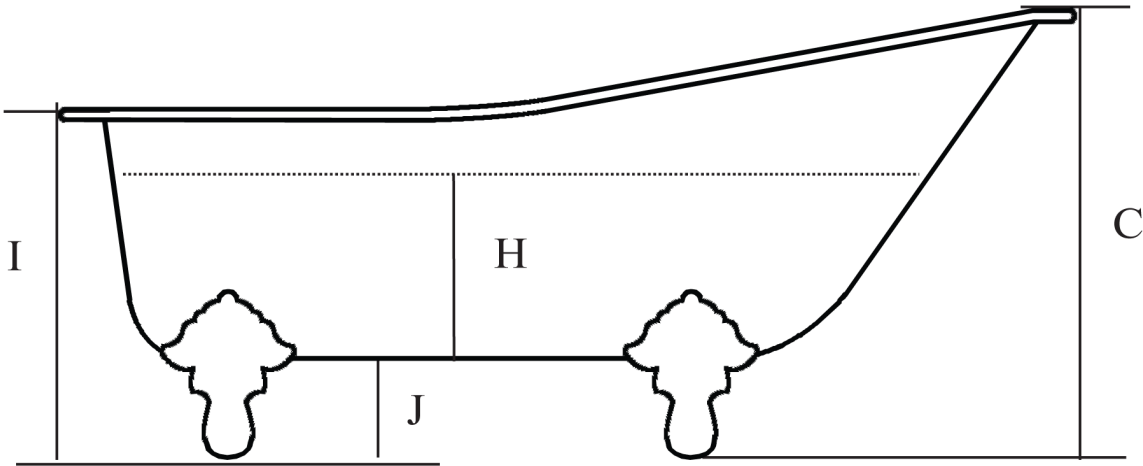


SUNRISE

61" Slipper Bath

#805 Drilled 3 3/8" cc. on rear deck
 #815 No drillings, continuous rolled rim
 #885 Drilled 8" c.c. on rear rim



Dimensions in Inches											
A	B	C	D	E	F	G	H	I	J	K	L
60 5/8	30 1/8	30 11/16	54 5/16	23 5/8	38	15	13 7/8	22 15/16	5 1/8	12	11 7/16

Overflow Diameter is 2 1/8"
Waste Diameter is 2 1/2"
Rim Width is 3"
Hole Diameter is 1 3/4"
Water Capacity is 48 Gal
Bathing Well 38"L x 15"W
Weight of Tub is 266 lbs
Weight of Feet is 25 lbs

The drain is centered under the rim of the tub