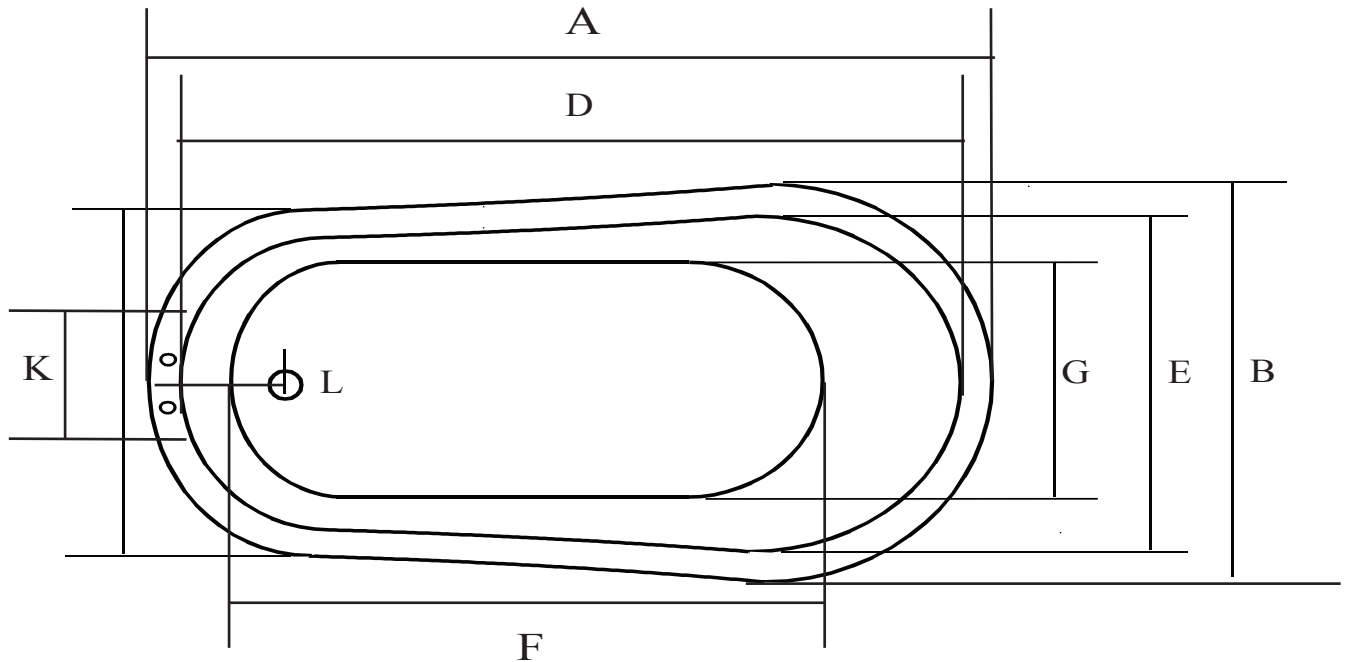
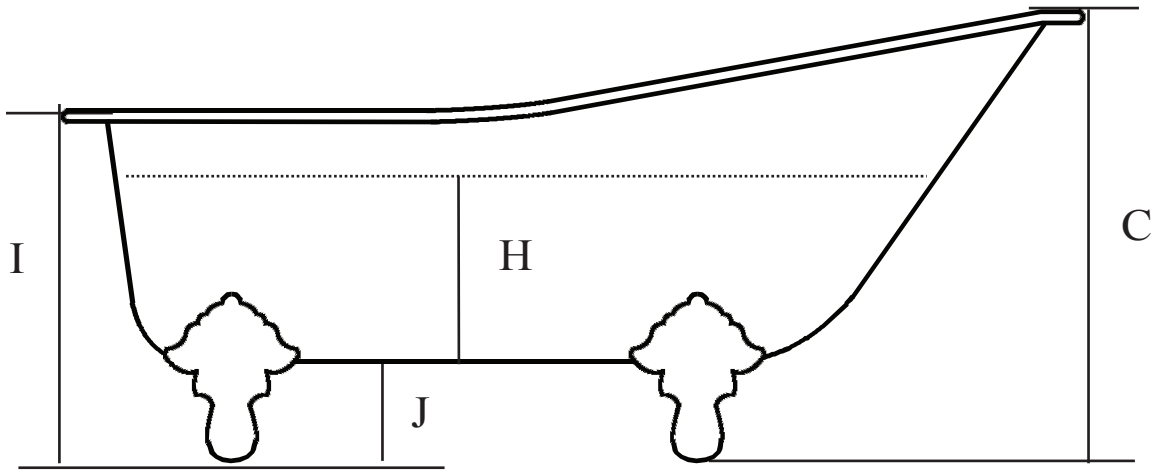


SUNRISE

61" Slipper Bath

#805 Drilled 3 3/8" cc. on rear deck
 #815 No drillings, continuous rolled rim
 #885 Drilled 8" c.c. on rear rim



Dimensions in Inches											
A	B	C	D	E	F	G	H	I	J	K	L
61	30	31	55	24	38	18	13	23	6	12	11

Overflow Diameter is 2 1/8"
 Waste Diameter is 2 1/2"
 Rim Width is 3"
 Hole Diameter is 1 3/4"
 Water Capacity is 48 Gal
 Bathing Well 38"L x 15"W
 Weight of Tub is 266 lbs
 Weight of Feet is 25 lbs

The drain is centered under the rim of the tub