

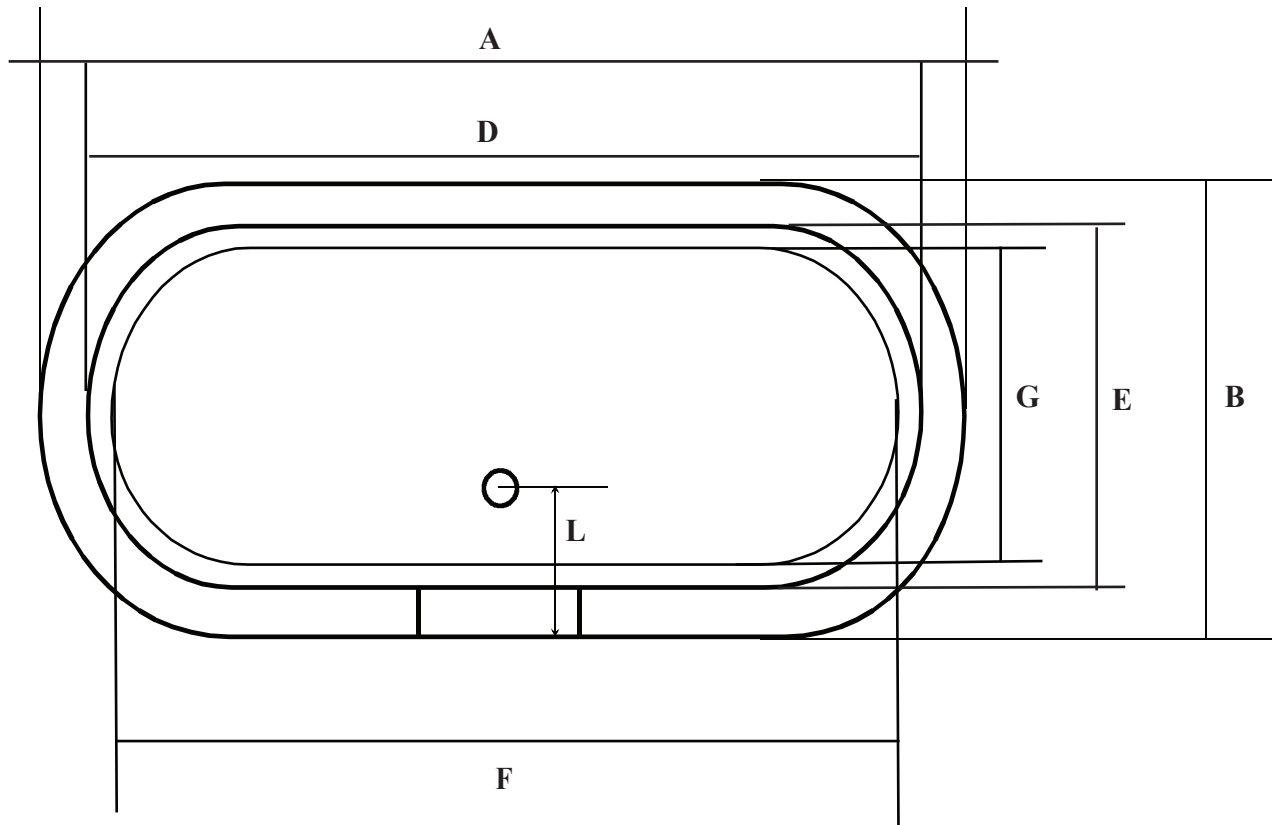
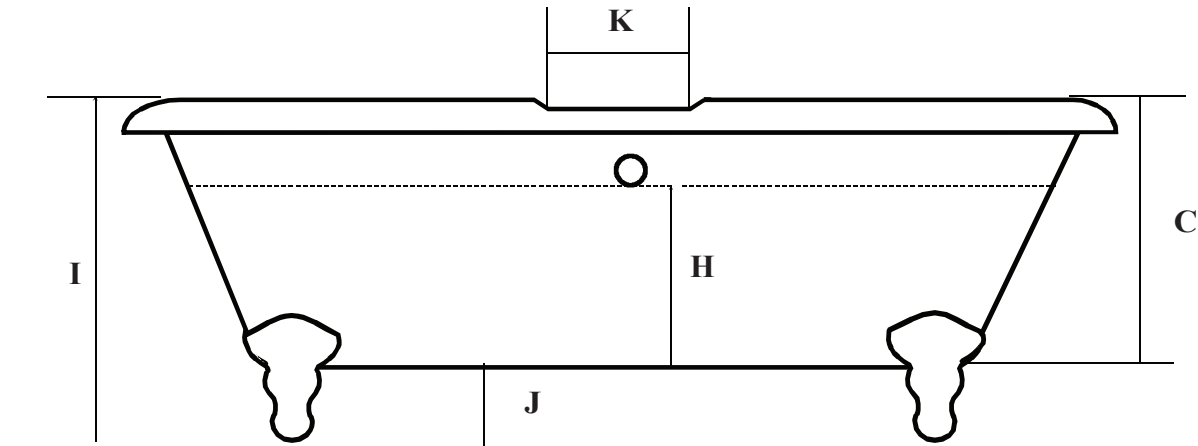
SUNRISE

68" Dual Bath

#806 Drilled 8" c.c. on deck

#816 No drillings, may be custom drilled

#846 No drillings, continuous rolled rim



Dimensions in Inches											
A	B	C	D	E	F	G	H	I	J	K	L
67	31	20	61	25	47	19	14	24	4	12	12

Overflow Diameter is 2 1/8"

Waste Diameter is 2 1/2"

Rim Width is 3"

Hole Diameter is 1 3/4"

Water Capacity is 50 Gal

Bathing Well 48"L x 16"W

Weight of Tub is 287 lbs

Weight of Feet is 20 lbs

The drain is centered under the rim of the tub