

# SUNRISE

## 68" Dual Bath w/ #826 Pedestal

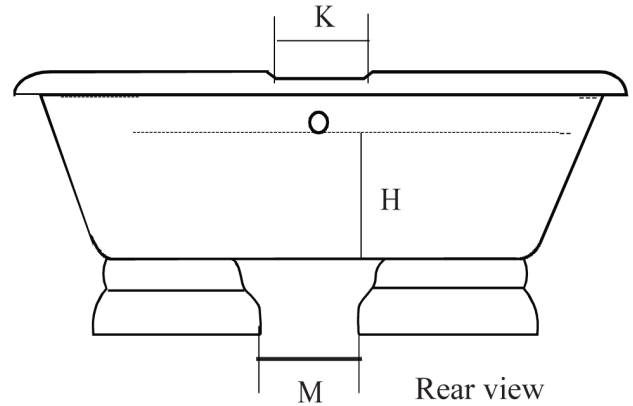
#806 Drilled 8" c.c. on deck

#816 No drillings, may be custom drilled

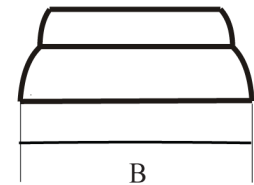
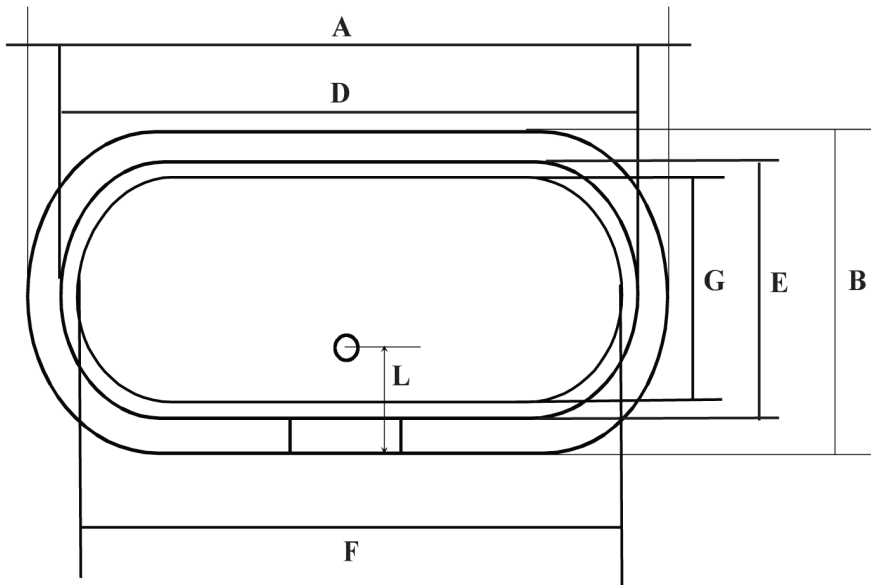
#846 No drillings, continuous rolled rim



Front view



Rear view



Pedestal side view

Overflow Diameter is 2 1/8"  
 Waste Diameter is 2 1/2"  
 Rim Width is 3"  
 Hole Diameter is 1 3/4"  
 Water Capacity is 45 Gal  
 Bathing Well 40"L x 16"W  
 Weight of Tub is 254 lbs  
 Weight of Pedestal is 97 lbs

**The drain is centered under the rim of the tub**