

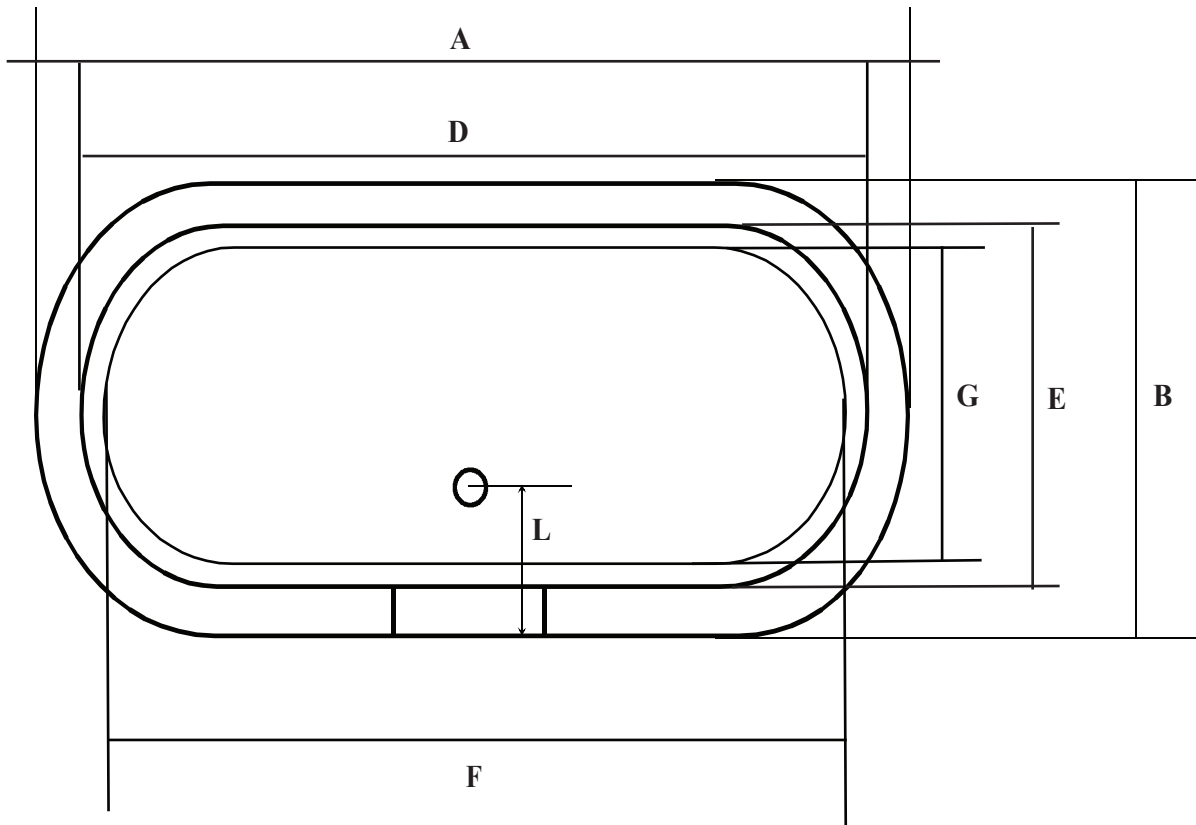
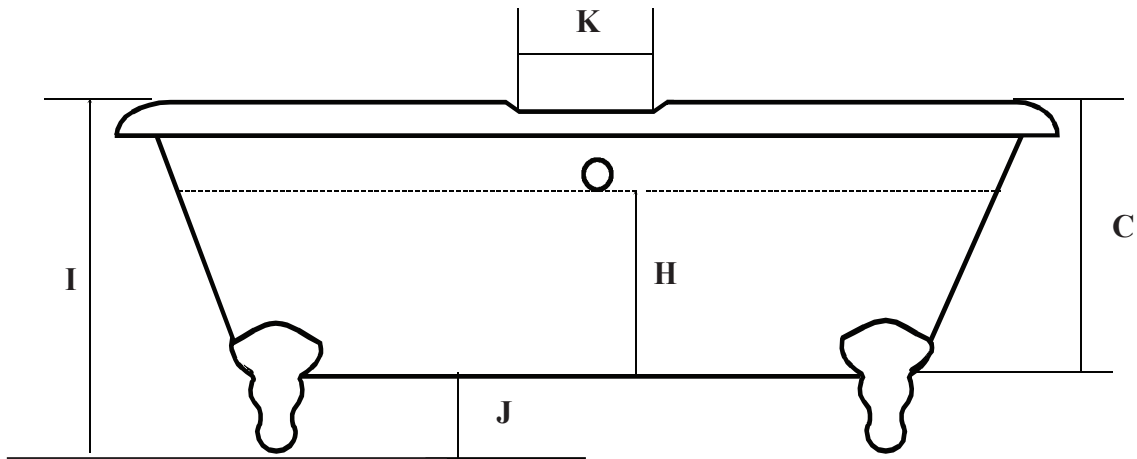
# SUNRISE

## 61" Dual Bath

#856 Drilled 8" c.c. on deck

#866 No drillings, may be custom drilled

#876 No drillings, continuous rolled rim



Dimensions in Inches											
A	B	C	D	E	F	G	H	I	J	K	L
61	31	19	55	25	40	19	13	23	4	12	11

**Overflow Diameter is 2 1/8"**

**Waste Diameter is 2 1/2"**

**Rim Width is 3"**

**Hole Diameter is 1 3/4"**

**Water Capacity is 45 Gal**

**Bathing Well 40"L x 16"W**

**Weight of Tub is 254 lbs**

**Weight of Feet is 20 lbs**

**The drain is centered under the rim of the tub**