

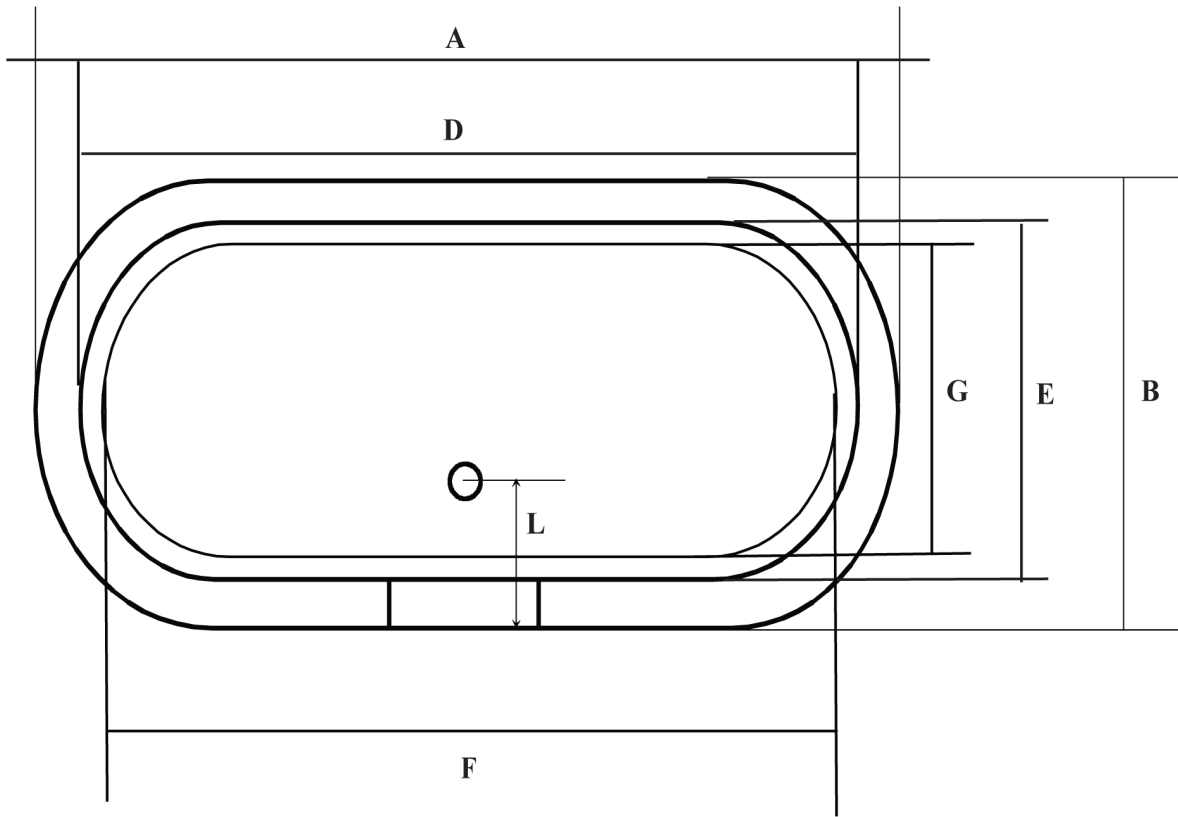
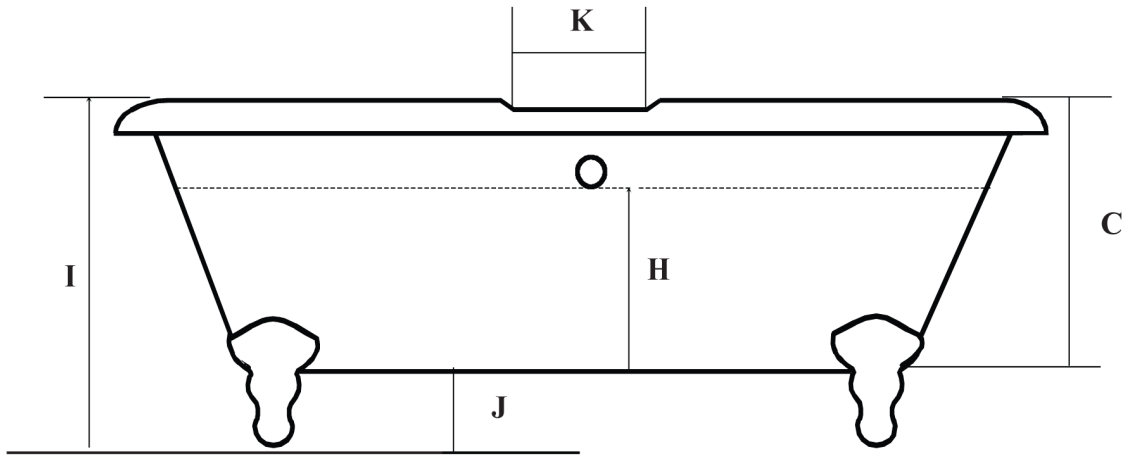
SUNRISE

61" Dual Bath

#856 Drilled 8" c.c. on deck

#866 No drillings, may be custom drilled

#876 No drillings, continuous rolled rim



Dimensions in Inches											
A	B	C	D	E	F	G	H	I	J	K	L
60 ⁵ / ₈	30 ¹¹ / ₁₆	18 ⁵ / ₈	55½	24 ³ / ₈	40	17 ³ / ₄	14 ⁹ / ₁₆	23	5	12	11 ¹ / ₄

Overflow Diameter is 2 1/8"

Waste Diameter is 2 1/2"

Rim Width is 3"

Hole Diameter is 1 3/4"

Water Capacity is 45 Gal

Bathing Well 40"L x 16"W

Weight of Tub is 254 lbs

Weight of Feet is 20 lbs

The drain is centered under the rim of the tub