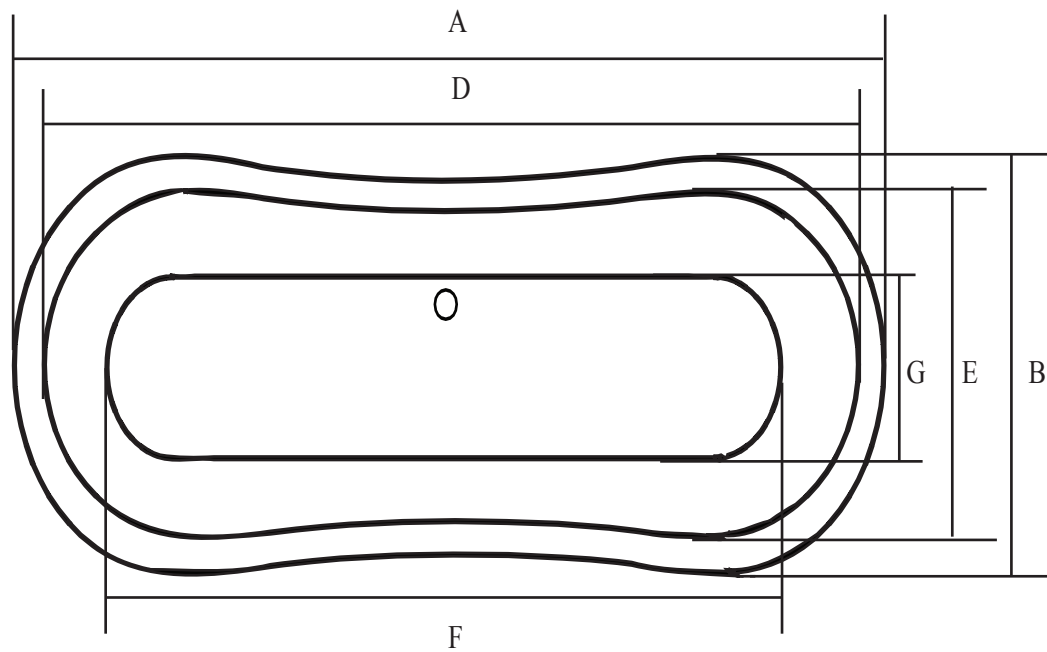
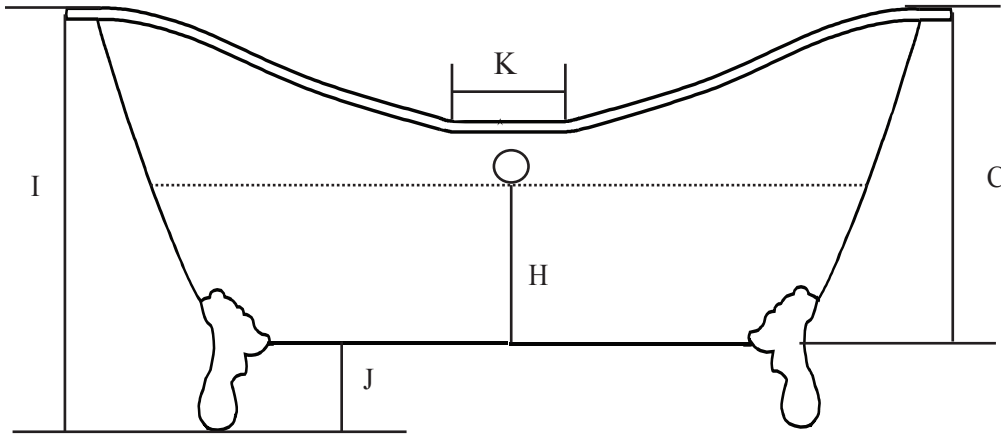


# SUNRISE

## 61" Elegance Bath

#858 Drilled 8" c.c. on deck

#868 No drillings, continuous rolled rim



Dimensions in Inches											
A	B	C	D	E	F	G	H	I	J	K	L
61	30	25	55	24	31	18	12	29	4	12	12

Overflow Diameter is 2 1/8"

Waste Diameter is 2 1/2"

Rim Width is 3"

Hole Diameter is 1 3/4"

Water Capacity is 46 gallons

Bathing Well 39" L x 16 1/2" W

Weight of Tub is 264 lbs

Weight of Feet is 40 lbs

**The drain is centered under the rim of the tub**