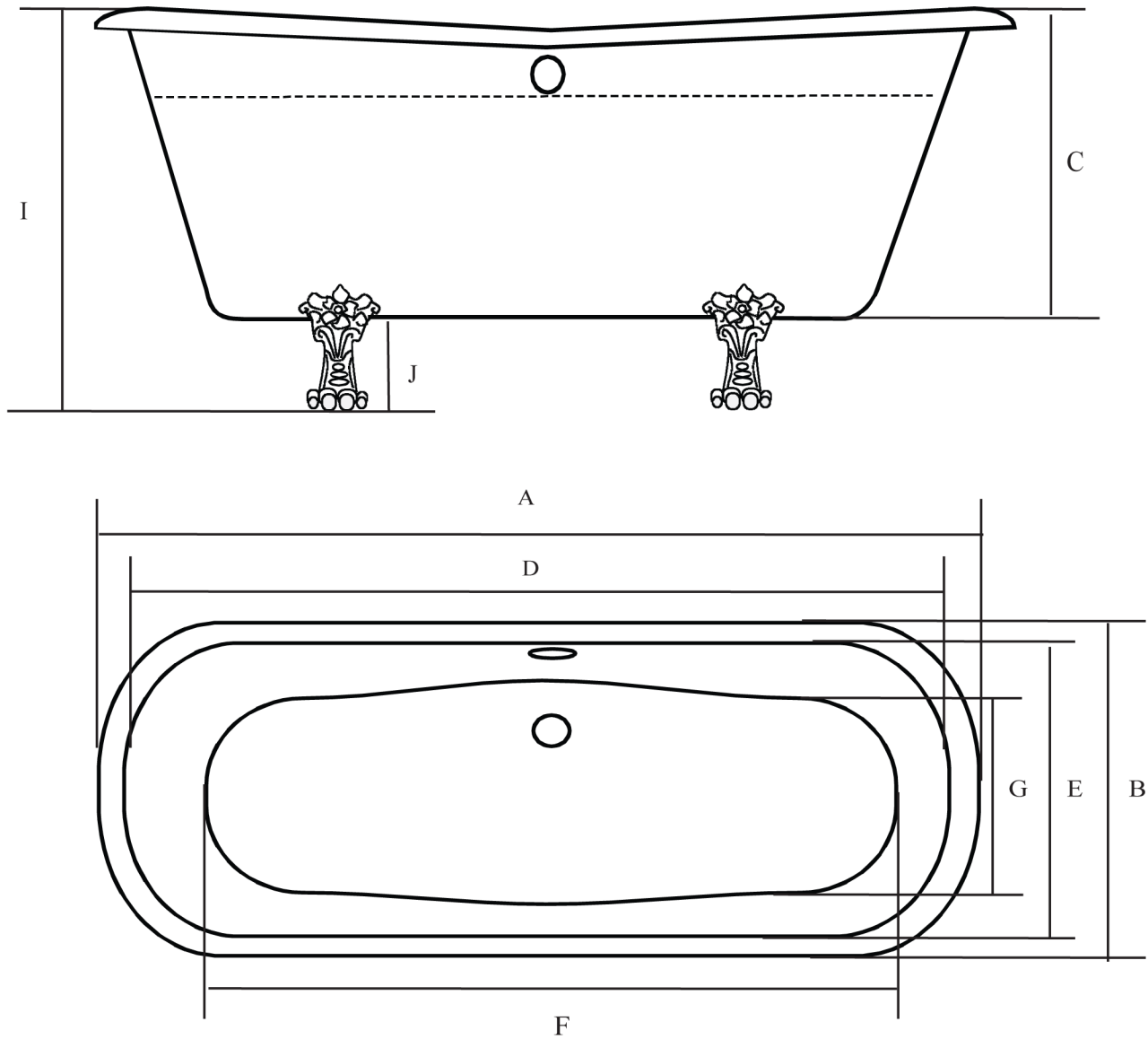


SUNRISE

67" Missy Bath
#860 Continuous Rolled Rim



Dimensions in Inches											
A	B	C	D	E	F	G	H	I	J	K	L
$66 \frac{15}{16}$	$26 \frac{3}{4}$	$19 \frac{3}{8}$	$63 \frac{3}{4}$	23	48	$18 \frac{5}{16}$	$15 \frac{3}{8}$	$28 \frac{9}{16}$	-	-	$9 \frac{13}{16}$

Overflow Diameter is 2 1/8"
Waste Diameter is 2 1/2"
Rim Width is 3"
Hole Diameter is 1 3/4"
Water Capacity is 57 Gal
Bathing Well 48'L X 18 5/16"W
Weight of Tub is lbs 282
Weight of Feet is 20 lbs