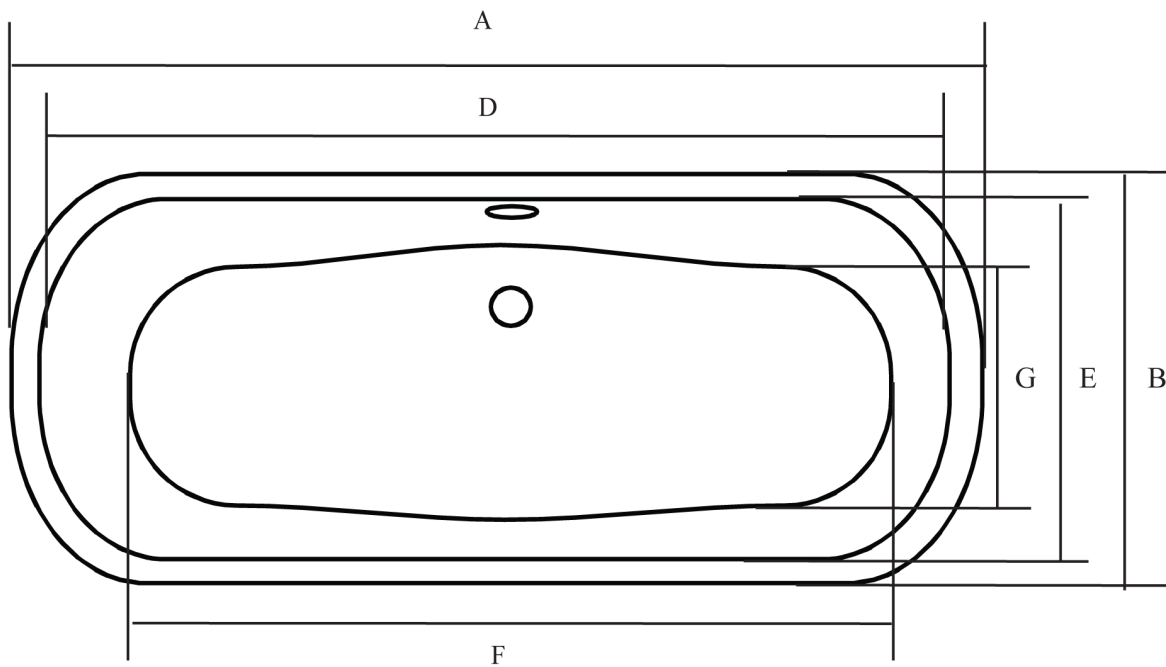
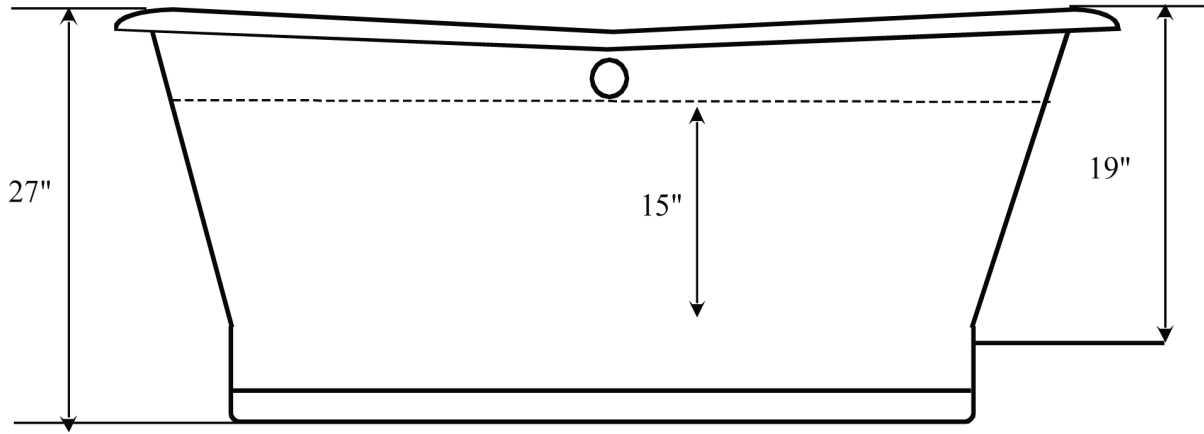


# SUNRISE

67" Piedmont Bath  
#872 Continuous Rolled Rim



Dimensions in Inches											
A	B	C	D	E	F	G	H	I	J	K	L
66 <sup>15</sup> / <sub>16</sub>	26 <sup>3</sup> / <sub>4</sub>	19 <sup>3</sup> / <sub>8</sub>	63 <sup>3</sup> / <sub>4</sub>	23	48	18 <sup>5</sup> / <sub>16</sub>	15 <sup>3</sup> / <sub>8</sub>	28 <sup>9</sup> / <sub>16</sub>	-	-	9 <sup>13</sup> / <sub>16</sub>

**The drain is centered under the rim of the tub**

Overflow Diameter is 2 1/8"  
Waste Diameter is 2 1/2"  
Rim Width is 3"  
Hole Diameter is 1 3/4"  
Water Capacity is 57 Gal  
Bathing Well 48"L x 18 5/16"W  
Weight of Tub is 436 lbs