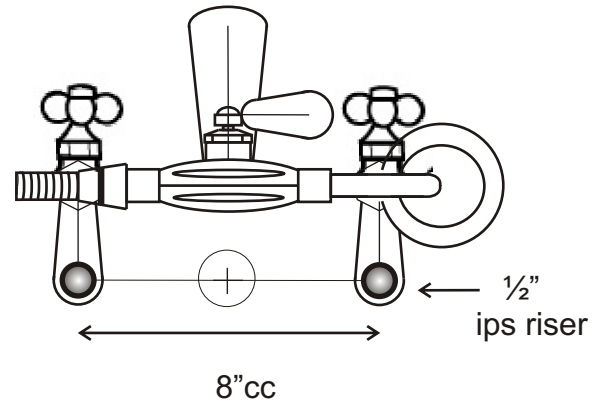


SUNRISE SPECIALTY CO.

TOP



Center w/o
#48 Tower Drain

433 Tubfill/Handshower Specifications

400-6 Wall Bracket (not illustrated)
Adjustable from 5-18"

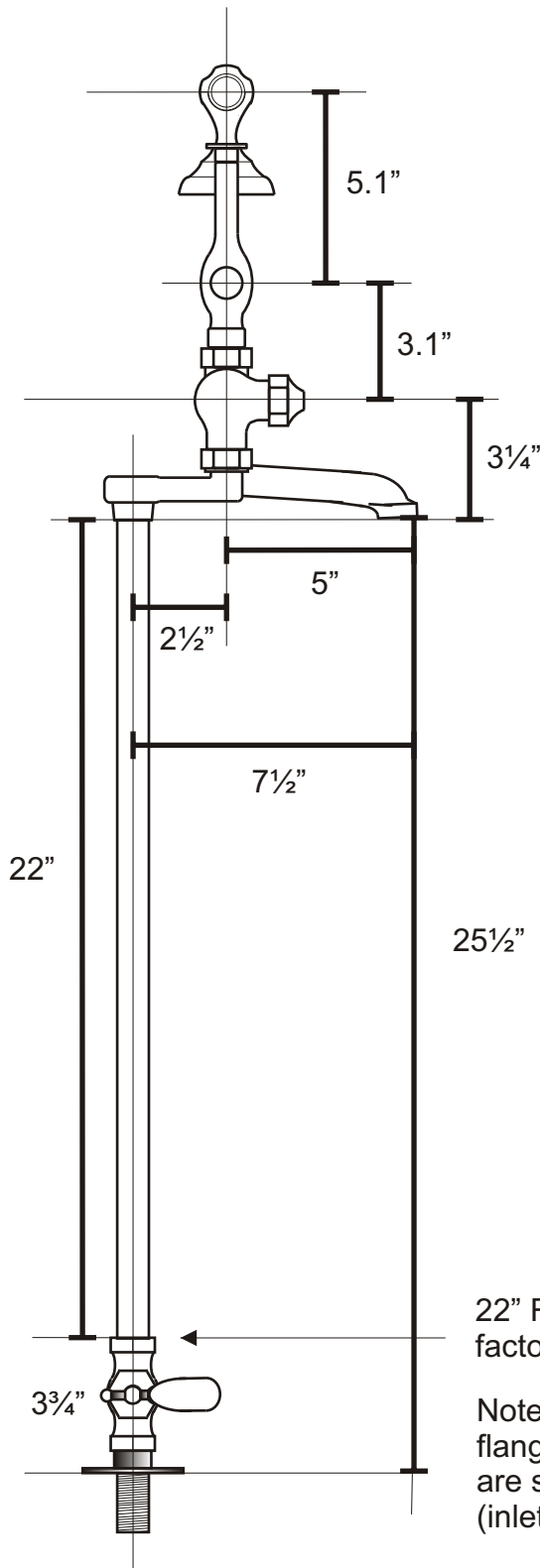
400-11 Straight Stop (less handle)
405-1 Flange Only
413-3 60" Hose Only
413-5 Handshower Only
433-4 22" Supply Riser Only
433-5 Cold Water Supply
433-6 Hot Water Supply

Floor Flange Dia. = 3"
Rough Supply Lines 8"cc

433-7 (x2) supplied with tubs drilled
8"cc on deck
433-8 Bracket supplied when shipped
with #48 Tower Drain



The 433 faucet is IAPMO
ASME A112.18.1-2003 Listed

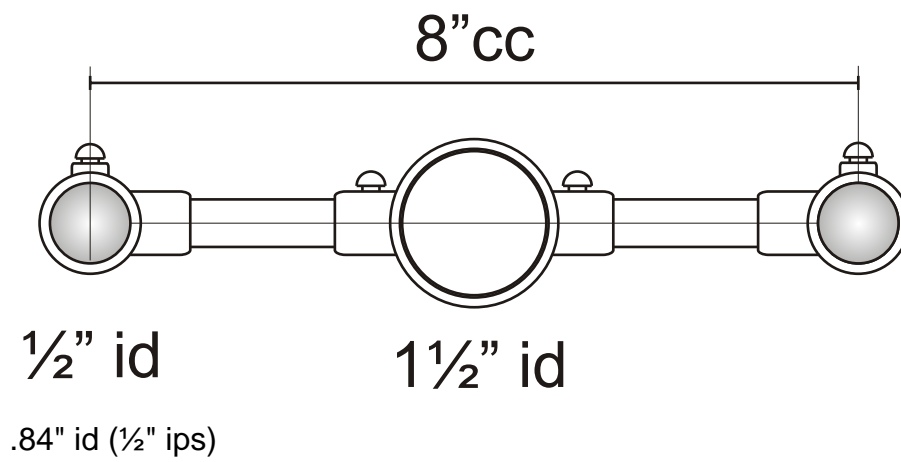


22" Riser / stop
factory connected & sealed

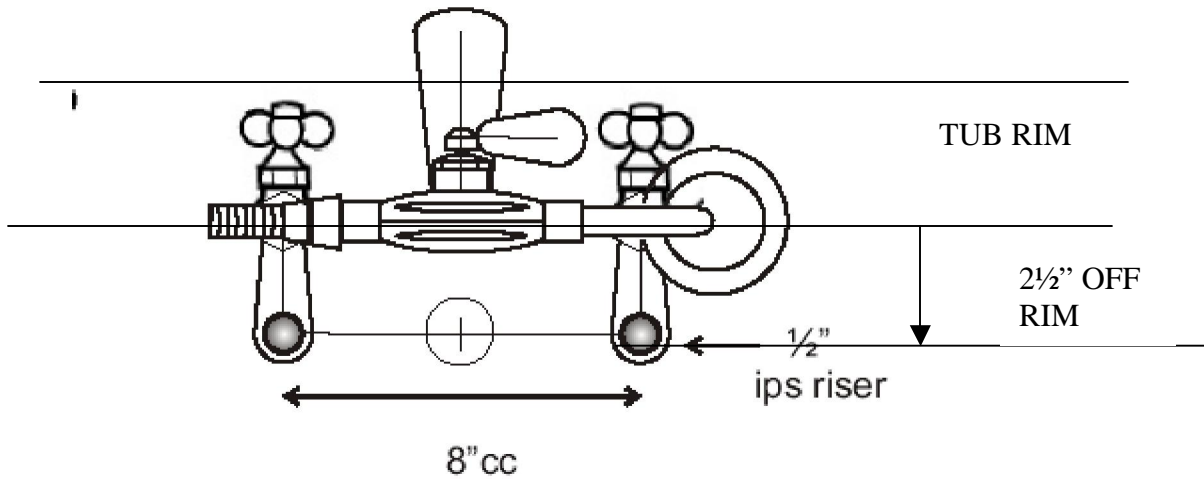
Note: Straight stop,
flange & supply nipple
are shipped unassembled
(inlet 1/2" NPSM)

**SUNRISE
SPECIALTY CO.**

433-8 Support
Bracket Spec



TOP



Center w/o
#48 Tower Drain